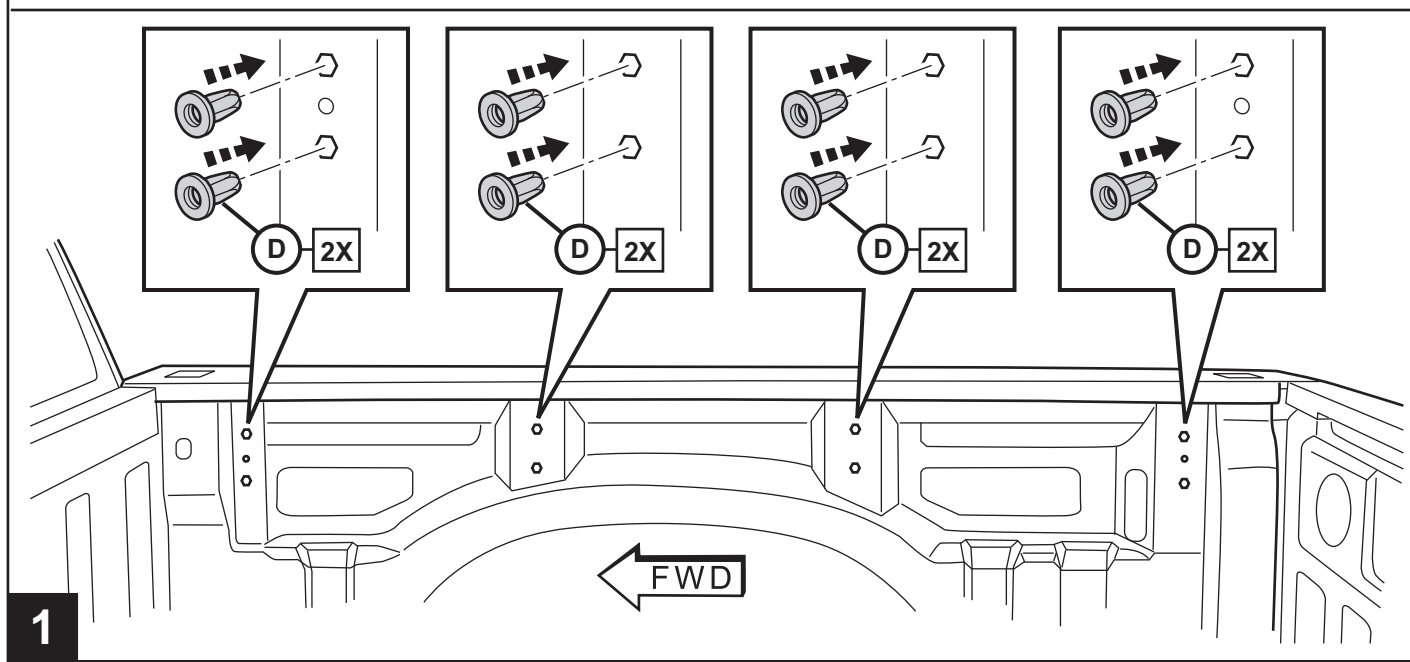
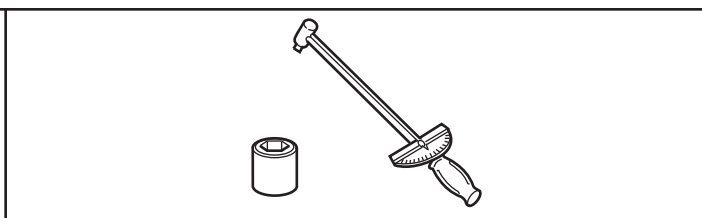
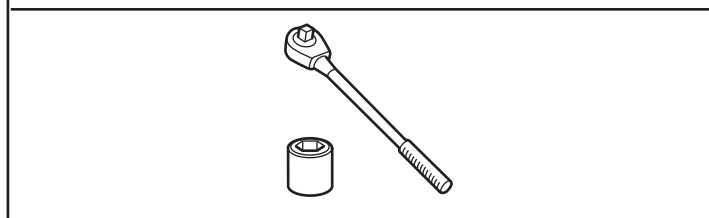
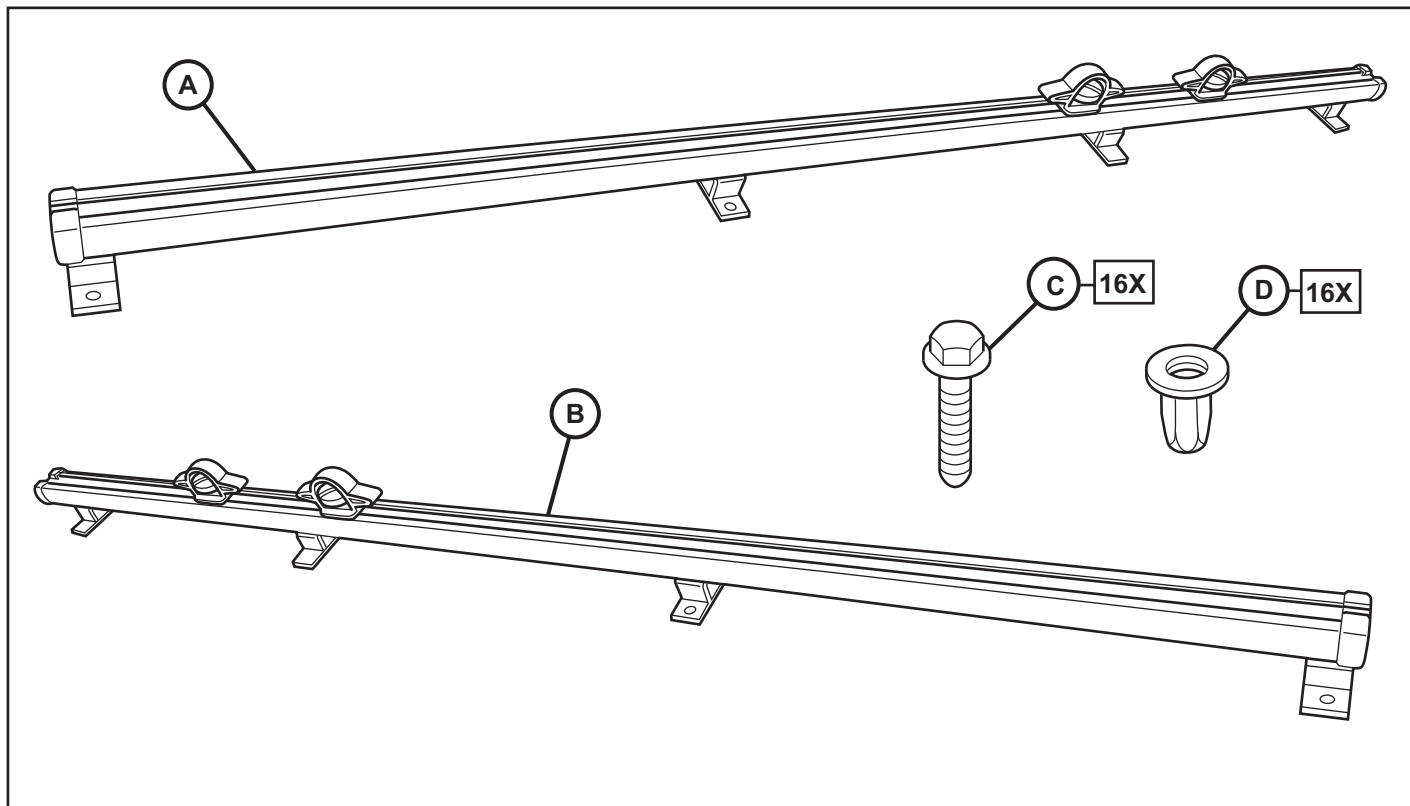


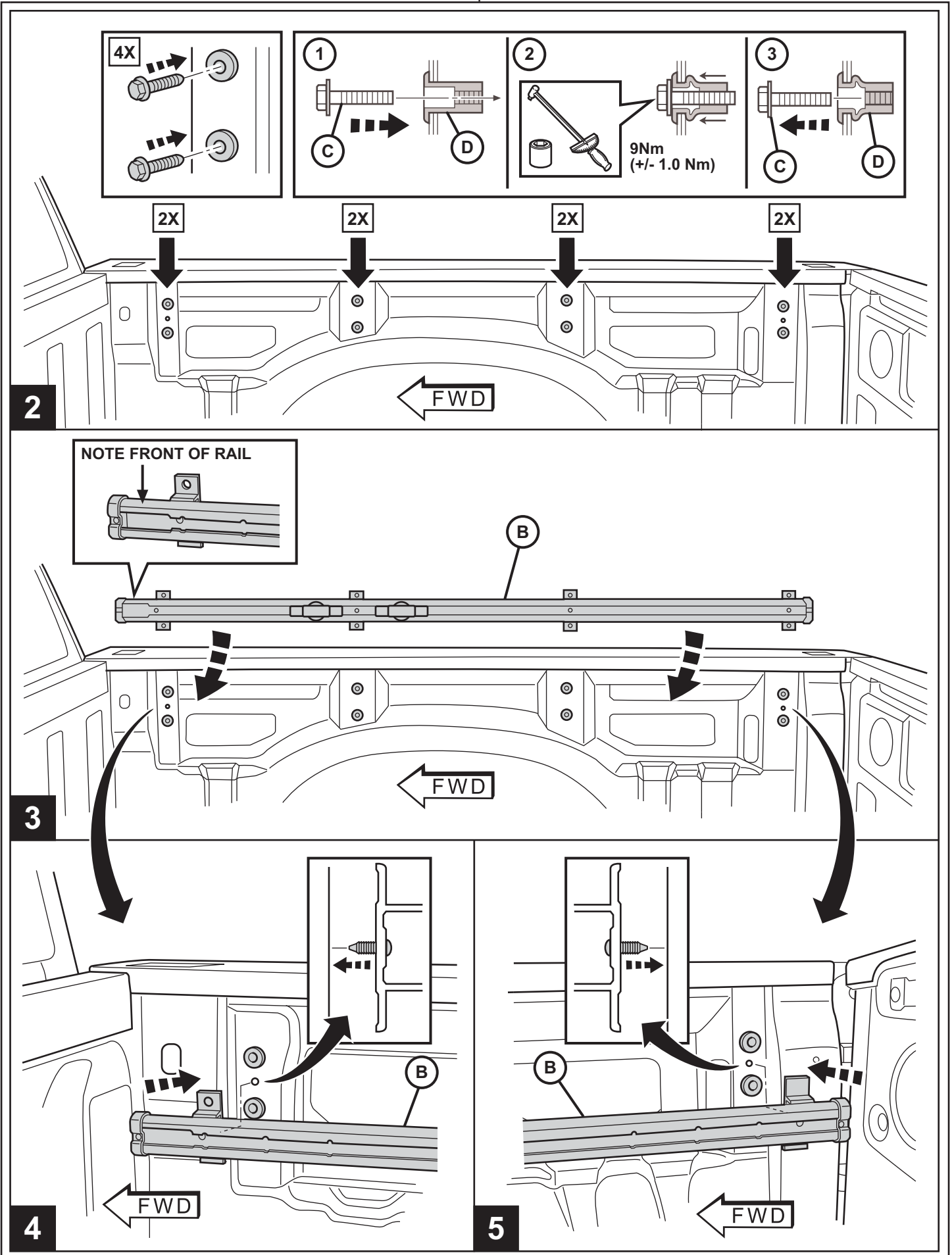


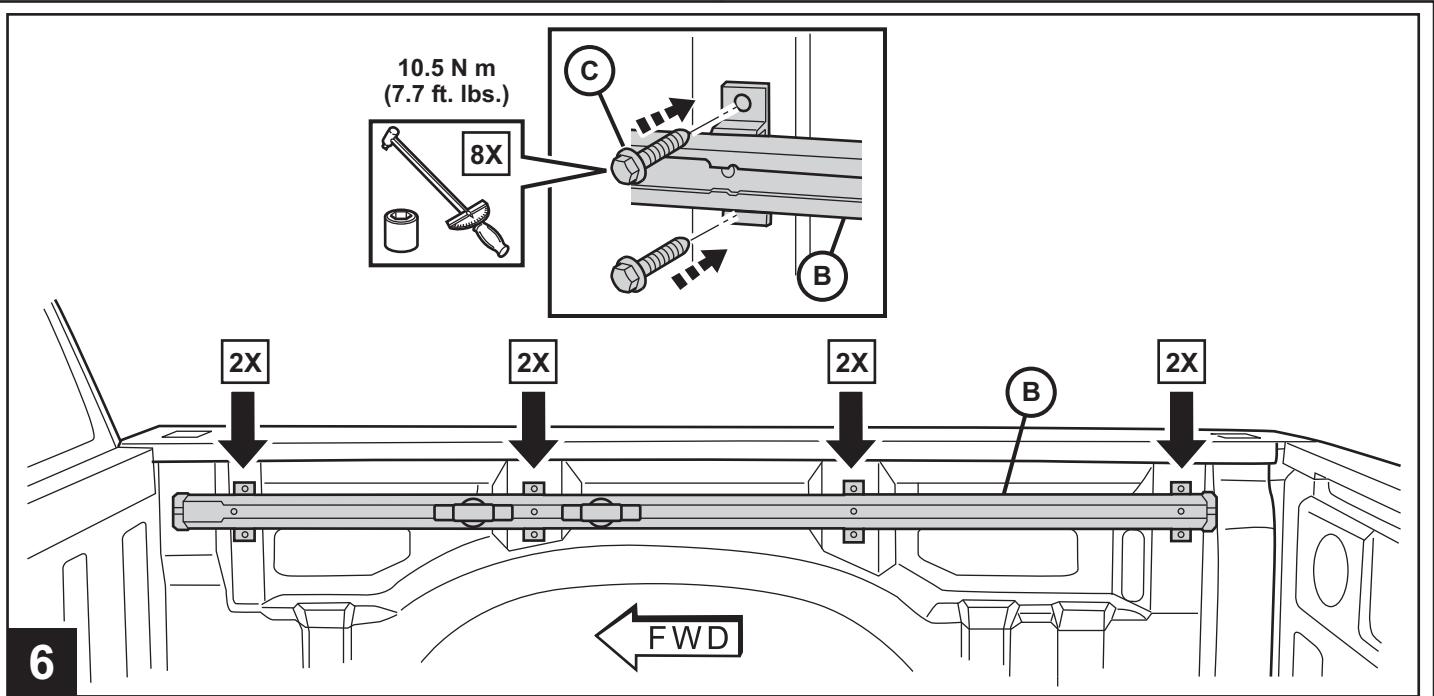
6' 4" AND 5' 7" TIE DOWN RAILS RAM

www.mopar.com



1





REPEAT STEPS 1 THROUGH 6
ON OPPOSITE SIDE OF VEHICLE
WITH RAIL (A)

7

